

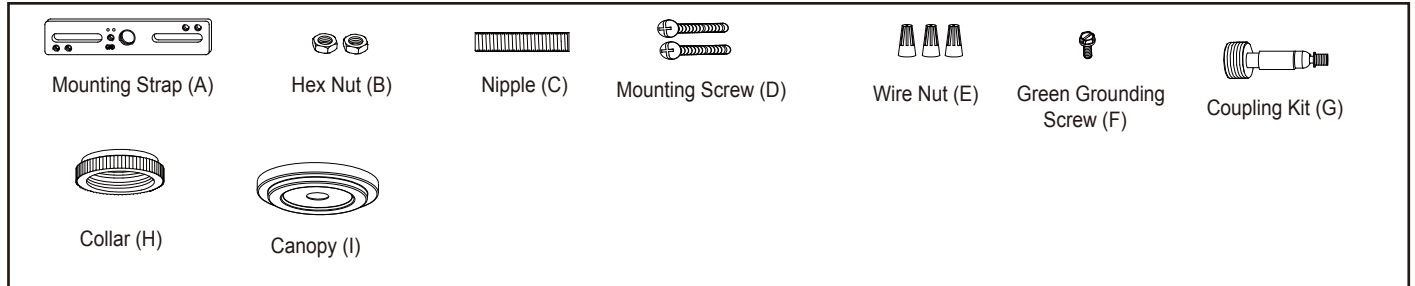
ASSEMBLY AND INSTALLATION INSTRUCTIONS

H0177 / H0183

WARNING: TO AVOID RISK OF ELECTRICAL SHOCK, BE SURE TO SHUT OFF POWER BEFORE INSTALLING OR SERVICING THIS FIXTURE.

NOTES: 1. Before installing, consult local electrical codes for wiring and grounding requirements.
2. READ AND SAVE THESE INSTRUCTIONS.

Hardware Package (included):



Preparation For Installation

Important: You may choose the glass panel (with or without metal-cut silhouette, see Fig.1 & Fig. 2 & Fig. 3) for installation as you desire.

Metal-Cut Silhouette Assembly: Secure the clips of metal-cut silhouette onto the glass panel tightly. Adjust the surface radian of metal-cut silhouette to match the surface of glass.(Fig.1 & Fig.2)

Fig.1

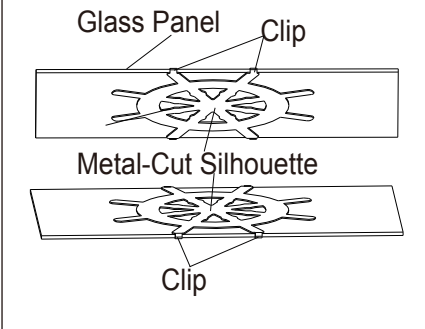


Fig.2

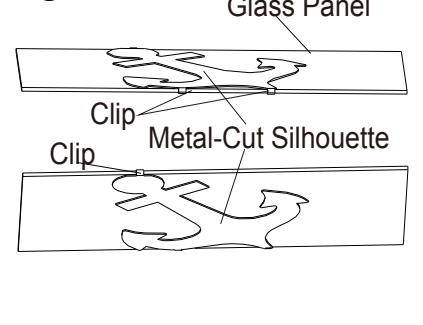
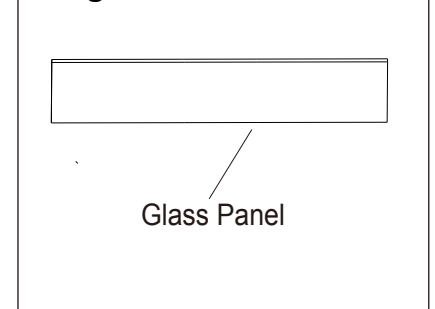


Fig.3



Glass Panel Assembly (with or without Metal-Cut Silhouette):

Fig.4

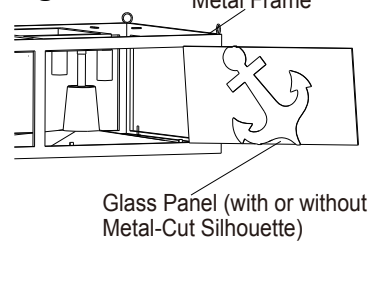


Fig.5

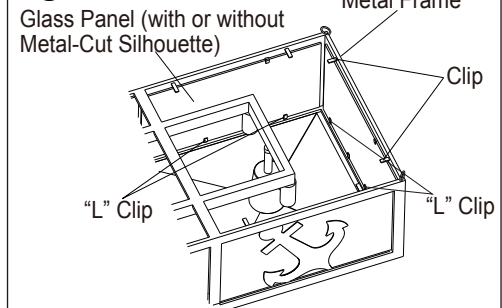
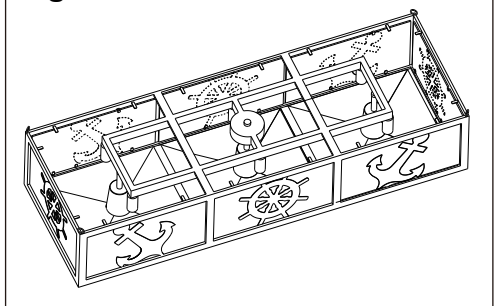
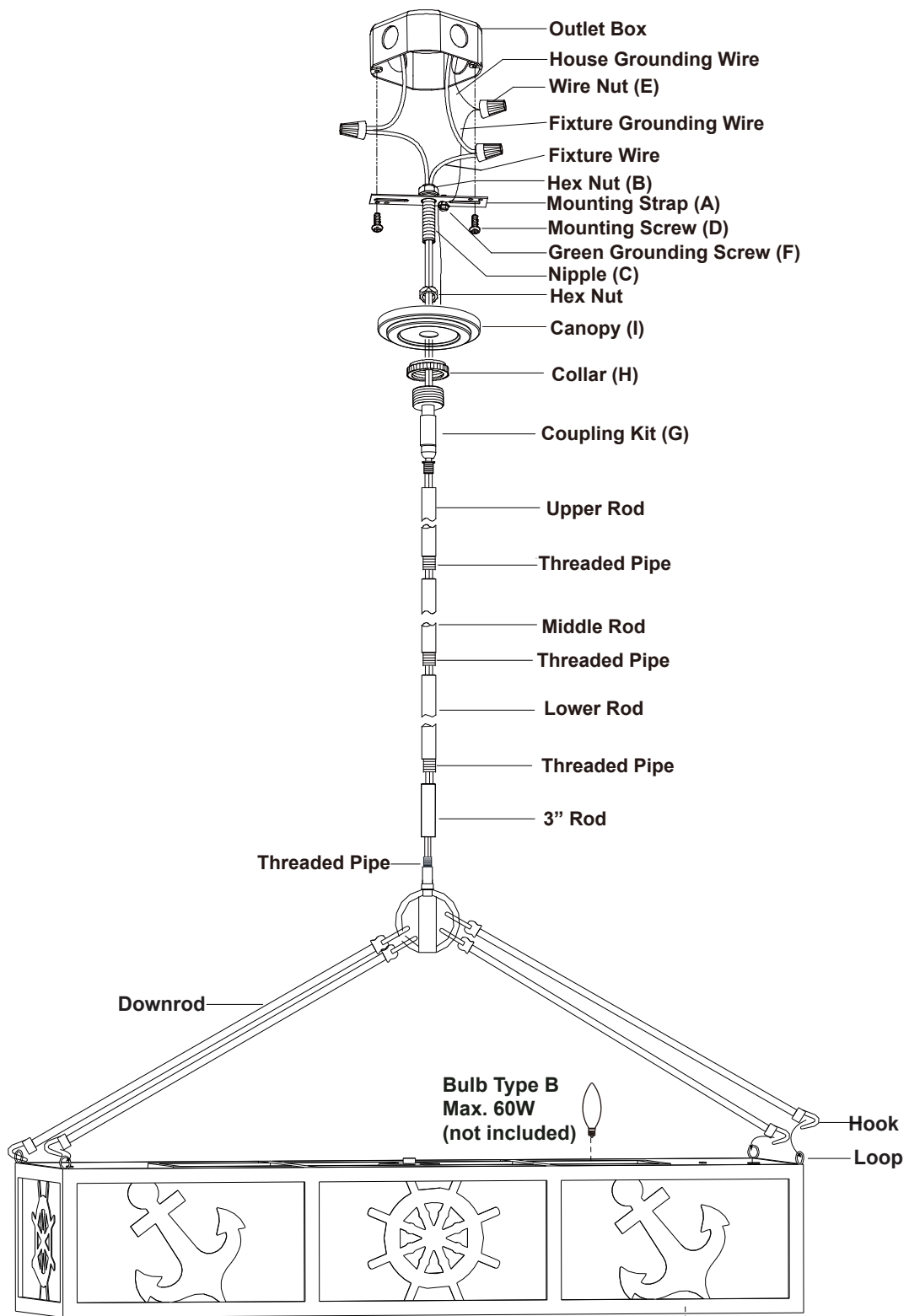


Fig.6



1. Gently slide the glass panel (with or without metal-cut silhouette) into the metal frame as shown on Fig. 3
2. Having one side of glass panel located into the slot of "L" clips first, and then secure another side by folding the clips on it (see Fig. 4).
3. See the finished look of glass panels with complete metal-cut silhouettes as shown on Fig. 5.

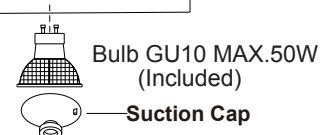


Installation Steps

Turn off the power at fuse or circuit box

1. Pull the fixture wires from the loop of fixture and hook the hooks of downrods to the loops of fixture, and then adjust the downrods to have the fixture well balanced if needed.
2. Rod Connections:
 - a. Thread the fixture wire from the fixture through the 3" rod and lower rod, and then assemble the two rods together, then secure the assembly rod onto fixture using the threaded pipe.
 - b. Thread the fixture wire through the middle rod, and then secure the middle rod onto the lower rod using the threaded pipe.
 - c. Thread the fixture wire through the upper rod, and then secure the upper rod onto the middle rod using the threaded pipe.
3. Thread the fixture wire through the coupling kit, collar, canopy, and then secure the rod assembly onto the coupling kit.

Adjustable heights from 24-1/2" to 69-1/2" (including fixture).



4. Thread the fixture wire through the nipple, hex nut and mounting strap. Install the hex nut onto one end of the nipple leaving about 3/8" (10mm) thread exposed. Install same end of nipple by screwing into coupling kit, and secure nipple by tightening hex nut.
5. Attach the nipple to the mounting strap, and then secure it with hex nut.
6. Attach the mounting strap to outlet box by using two mounting screws.
7. Pull out the outlet wires and the house grounding wire from the outlet box. Make wire connections using the wire nuts:
 - Connect the smooth-coated wire (marked) from the fixture to the black wire from the power source.
 - Connect the ribbed-coated wire (unmarked) from the fixture to the white wire from the power source.
 - Attach the fixture grounding wire to the mounting strap with the green grounding screw. Then connect it to the house grounding wire with the wire nut.

Carefully put the wires back into the outlet box.

8. Attach the canopy to the mounting strap, and secure it with collar.
9. Install bulbs (E12 bulbs not included). See relamping label at socket area or packaging for maximum allowed wattage.
10. Install bottom bulbs (Included).

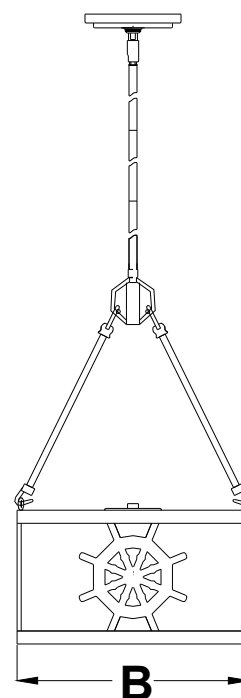
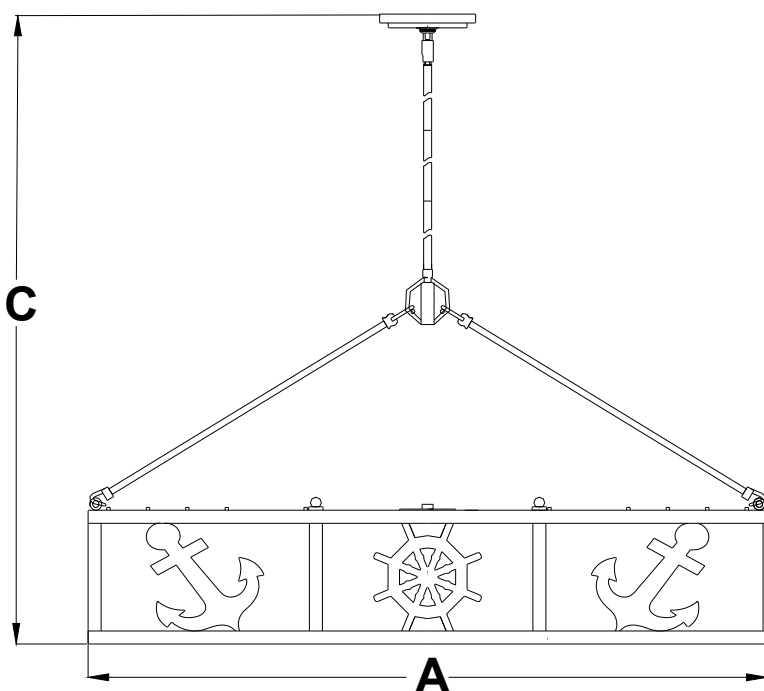
- a. Attach the suction cap to the top surface of the bulb lens.
- b. Insert and twist the bulb (GU10 BASE ONLY) into the socket of the lamp holder using the suction cap.
- c. Remove the suction cap from the bulb lens by pulling the knob of the suction cap.

Note: Do not discard the suction cap, it will be needed when replacing the bulb.

Turn on the power at fuse or circuit box

The following parts are available for re-order if damaged or missing.

Spare Parts List:				
Mounting Strap (A)	Hex Nut (B)	Nipple (C)	12"L Rods w/threaded pipe 3082RD	Glass Panel X8 9872FE
Mounting Screw (D)	Wire Nut (E)	Green Grounding Screw (F)	6"L Rod w/threaded pipe 3083RD	Suction Cap X1 4565SP
Coupling Kit (G)	Collar (H)	Canopy (I)	3"L Rod w/threaded pipe 3084RD	Bulb GU10 X3 8073HL
Mounting Hardware 5681MM (1 SET)				



A: 39"

B: 13-1/2"

C: 24-1/2" ~ 69-1/2"